

D N BICKERTON
ELECTRICAL LTD

Customer: **Customer**

Attention 1:
Attention 2:
Attention 3:

PROJECT: **Display Title**
JOB NUMBER: **Job No 30956**

Address :
Address 1

ZipCode AK

Telephone:
FAX:
email:

Additional project information

01. Wire Numbering = Sheet/Index/Net Number

02.

03.

04.

05.

06.

07.

08.

09.

10.

11.

12.

13.

14.

15.

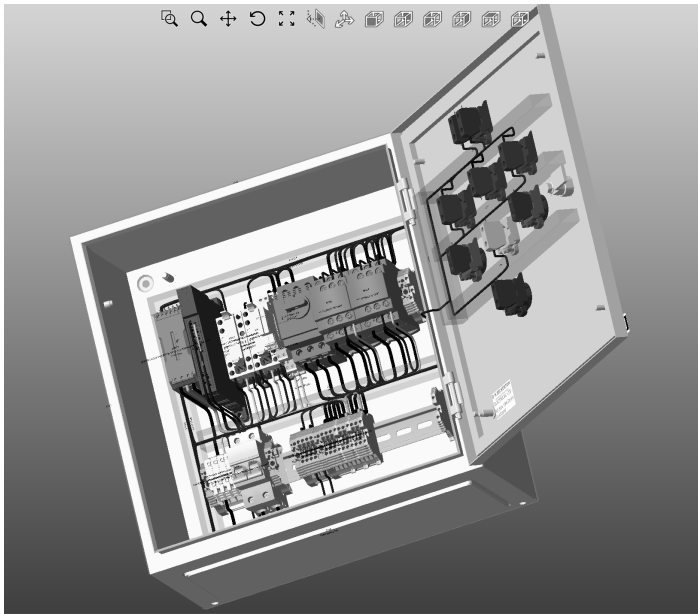
16.

17.

18.

COMMENTS:

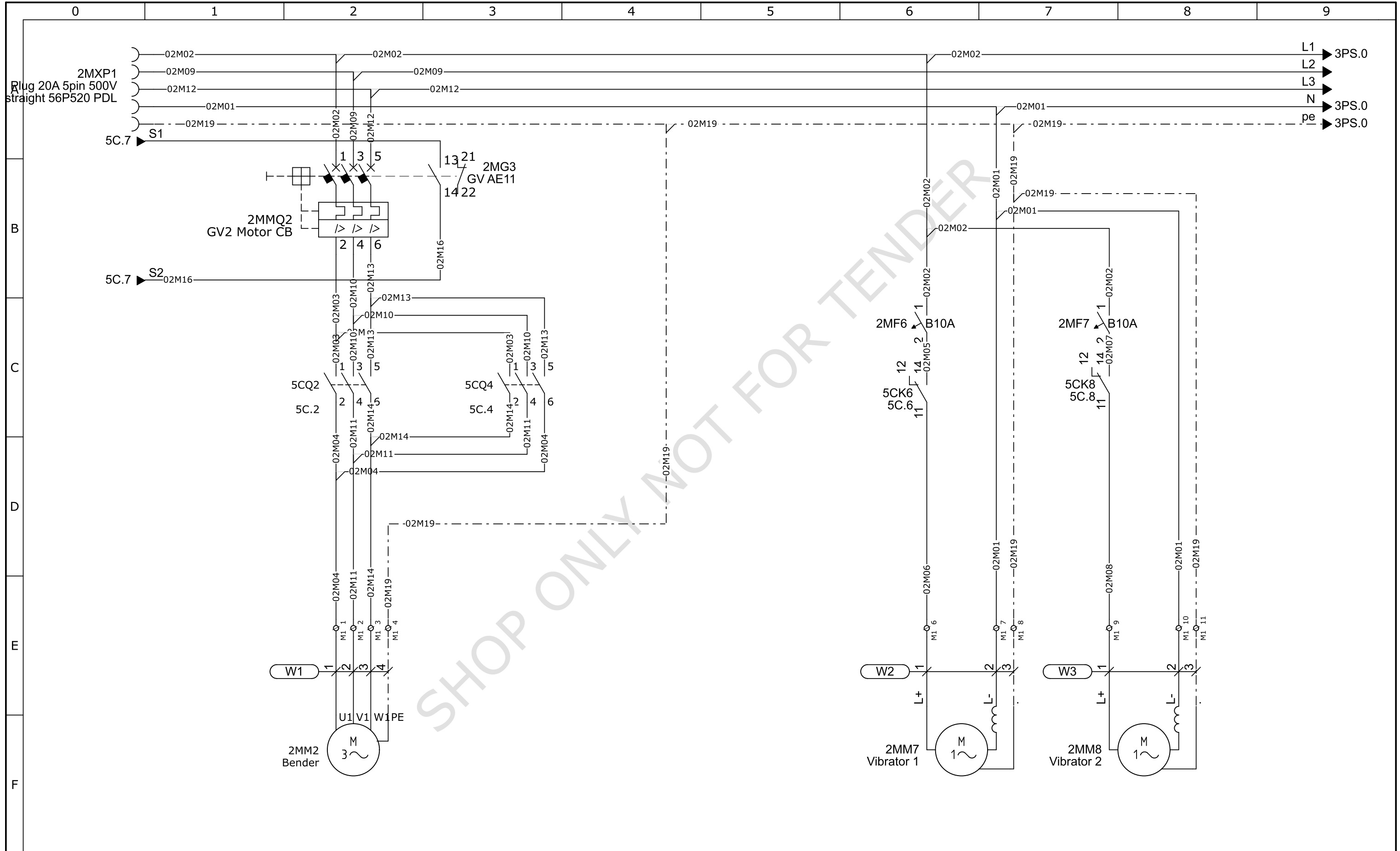
Wire Numbering = Sheet/Index/Net Number



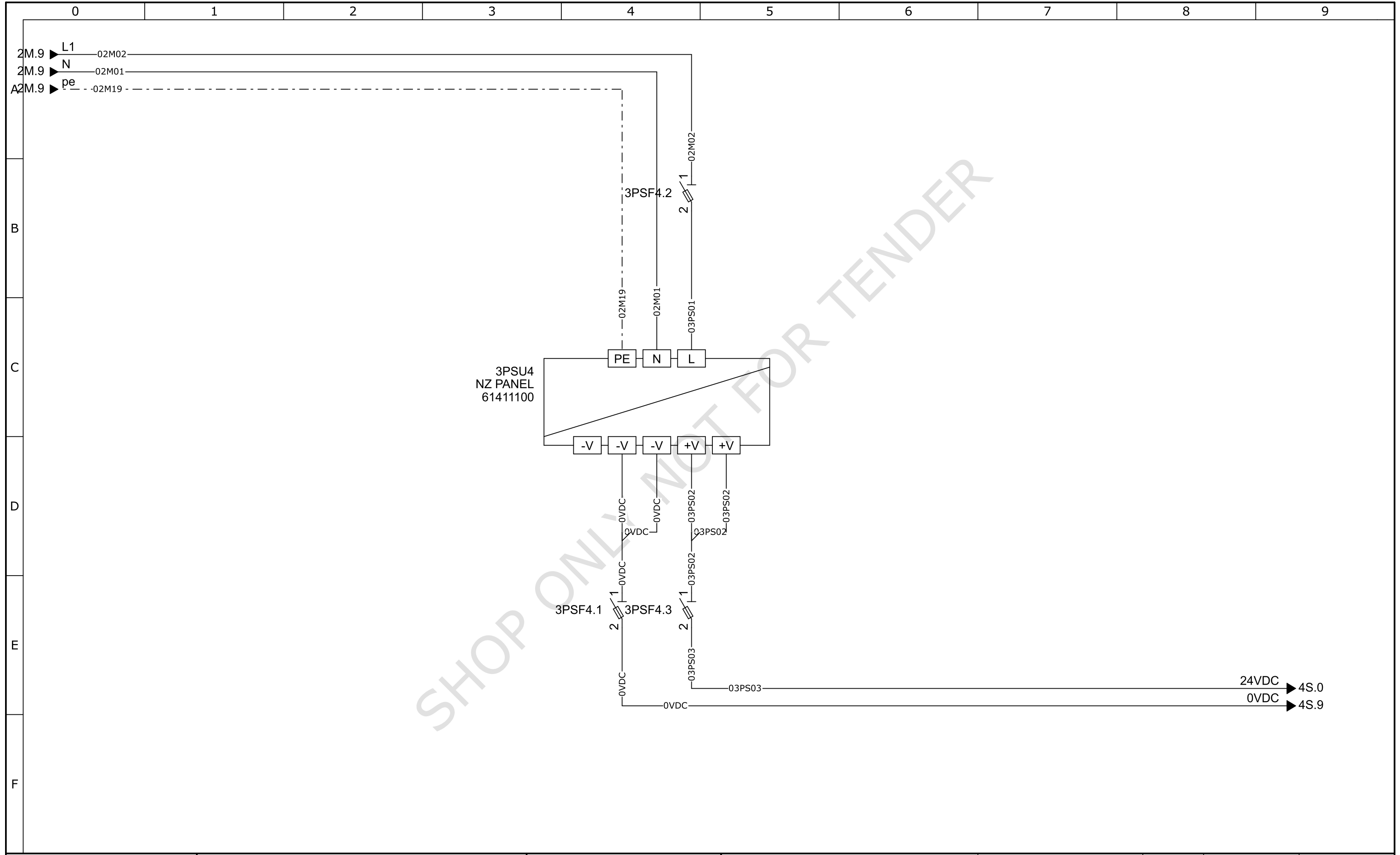
Project created by: **DB**

Date: **18/08/2020**

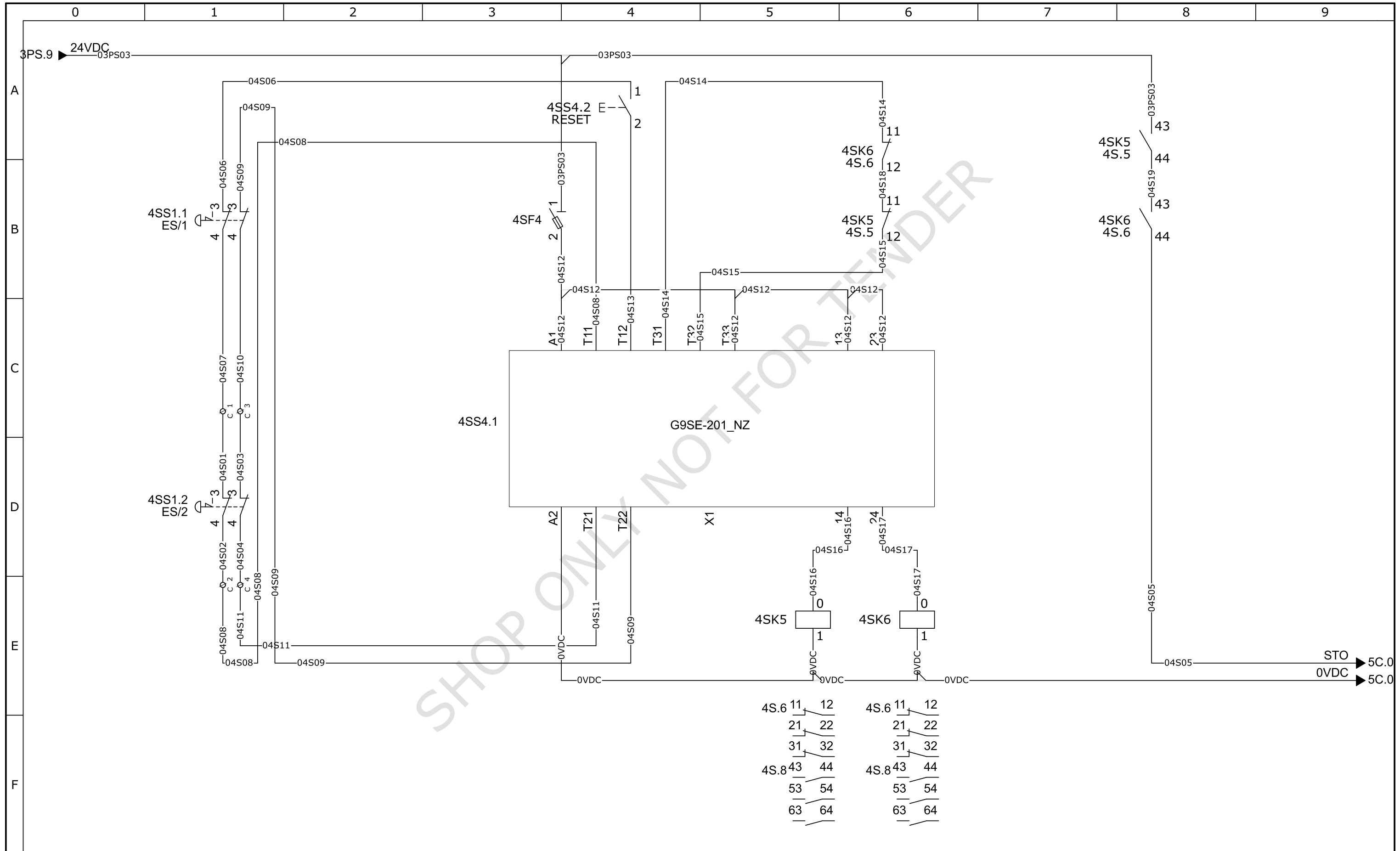
Total number of pages: **24**



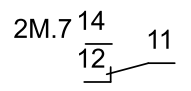
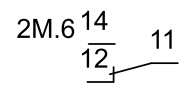
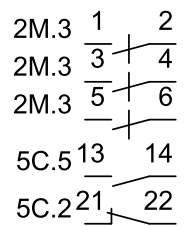
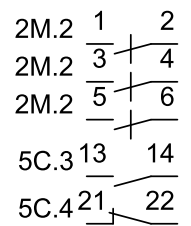
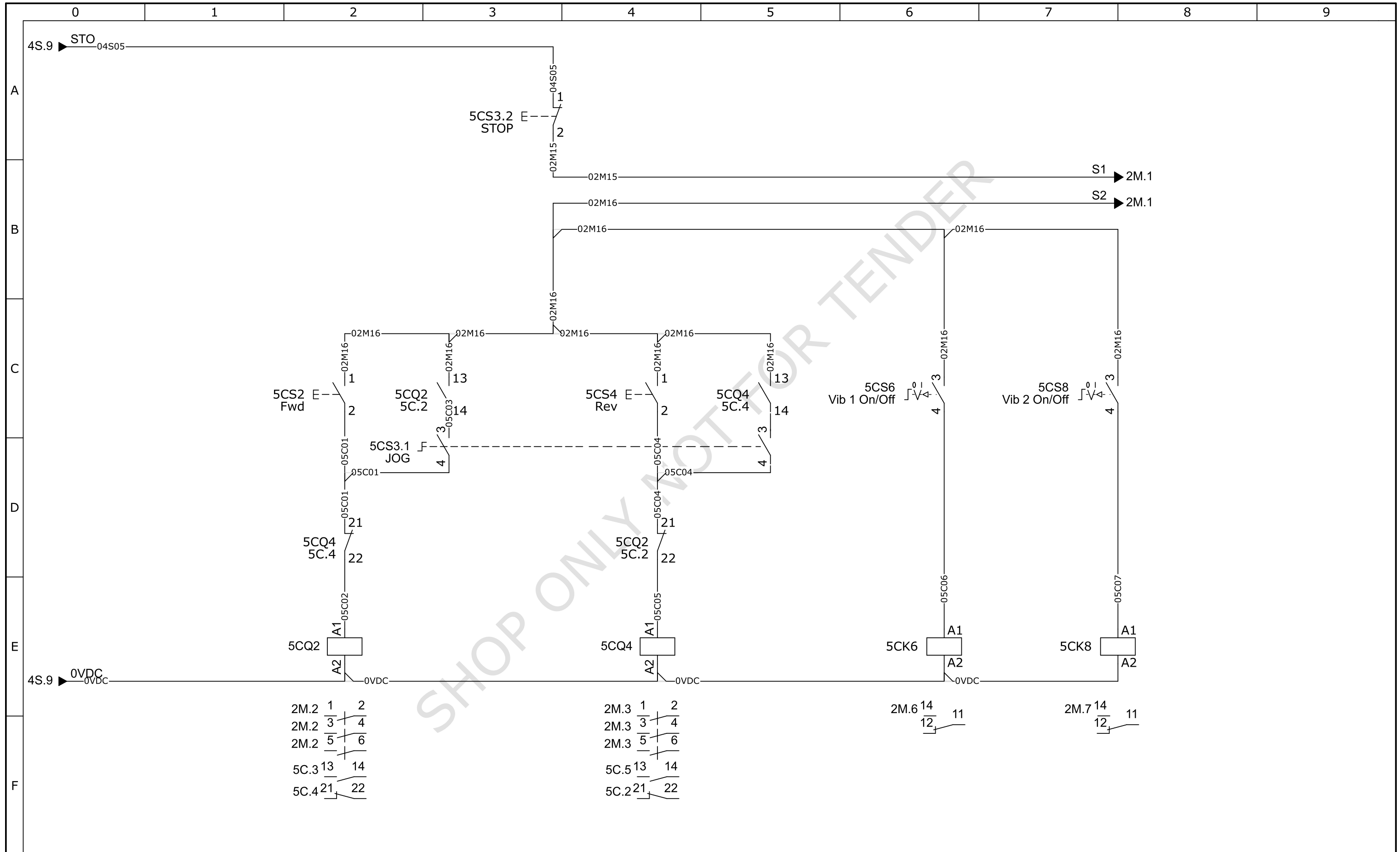
D N BICKERTON ELECTRICAL LTD	Display Title Job No 30956 Wire Numbering = Sheet/Index/Net Number	Motors	Project: WebSchematic Date: 8/07/2015	Drawing no.: Function:	Init.: Location:	Rev.:	Sheet: 2M
						Total sheets: 4	Next sheet: 3PS



D N BICKERTON ELECTRICAL LTD	Display Title Job No 30956 Wire Numbering = Sheet/Index/Net Number	Power Supply	Project: WebSchematic Date: 17/08/2020	Drawing no.:	Init.:	Rev.:	Sheet: 3 PS
				Function:	Location:	Total sheets: 4	Next sheet: 4S



D N BICKERTON ELECTRICAL LTD	Display Title Job No 30956 Wire Numbering = Sheet/Index/Net Number	Safety	Project: WebSchematic	Drawing no.:	Init.:	Rev.:	Sheet: 4 S
			Date: 17/08/2020	Function:	Location:	Total sheets: 4	Next sheet: 5C



D N BICKERTON ELECTRICAL LTD	Display Title Job No 30956 Wire Numbering = Sheet/Index/Net Number	Control	Project: WebSchematic Date: 17/08/2020	Drawing no.:	Init.:	Rev.:	Sheet: 5C
				Function:	Location:	Total sheets: 4	Next sheet:

List of Documents

Function (=)	Location (+)	Sheet	Kind of Document	Description	Revision date
		1	Document List		11/01/2021
		1	Project Cover Sheet		
		2 M	Circuit Diagrams IEC	Motors	
		3 PS	Circuit Diagrams IEC	Power Supply	
		4 S	Circuit Diagrams IEC	Safety	
		5 C	Circuit Diagrams IEC	Control	
		1	Wire List		11/01/2021 8:19:21 am
		2	Wire List		11/01/2021 8:19:21 am
		3	Wire List		11/01/2021 8:19:21 am
		1	Wiring List		11/01/2021 8:19:25 am
		2	Wiring List		11/01/2021 8:19:25 am
		3	Wiring List		11/01/2021 8:19:25 am
		1	BOM		11/01/2021 8:19:28 am
		1	Parts List		11/01/2021 8:19:32 am
		2	Parts List		11/01/2021 8:19:32 am
		1	Wire Parts List		11/01/2021 8:36:22 am
		1	Terminal Matrix	C	11/01/2021 8:19:41 am
		2	Terminal Matrix	M1	11/01/2021 8:19:41 am
		1	Terminal Plan	C	11/01/2021 8:28:10 am
		2	Terminal Plan	M1	11/01/2021 8:28:10 am
		1	Terminal Row Picture Plan	C	11/01/2021 8:19:57 am
		2	Terminal Row Picture Plan	M1	11/01/2021 8:19:57 am
		1	Cable Plan	W1, W2	11/01/2021 8:35:20 am
		2	Cable Plan	W3	11/01/2021 8:35:20 am

Wire list

From	To	Type	Supplier	No.	Colour	Size
M1:9:1	5CK8:11	14850680	Firstflex	12	BK	2.5
M1:7:1	M1:10:1	14850660	Firstflex	2	LTBU	2.5
5CQ2:1	5CQ4:1	14850680	Firstflex	4	BK	2.5
5CQ2:1	2MMQ2:2	14850680	Firstflex	3	BK	2.5
M1:6:1	5CK6:11	14850680	Firstflex	10	BK	2.5
5CK8:14	2MF7:2	14850680	Firstflex	11	BK	2.5
2MF6:1	2MF7:1	14850680	Firstflex	7	BK	2.5
M1:4:1	M1:8:1	14850700	Firstflex	2	GNV	2.5
5CK6:14	2MF6:2	14850680	Firstflex	9	BK	2.5
M1:8:1	3PSU4:PE	14850700	Firstflex	4	GNV	2.5
M1:8:1	M1:11:1	14850700	Firstflex	3	GNV	2.5
5CQ4:2	M1:3:1	14850680	Firstflex	5	BK	2.5
2MMQ2:1	2MF6:1	14850680	Firstflex	2	BK	2.5
2MMQ2:1	2MXP1	14850680	Firstflex	1	BK	2.5
5CQ4:6	M1:1:1	14850680	Firstflex	6	BK	2.5
2MXP1	M1:4:1	14850700	Firstflex	1	GNV	2.5
2MMQ2:5	2MXP1	14850680	Firstflex	1	BK	2.5
5CQ2:6	M1:3:1	14850680	Firstflex	4	BK	2.5
5CQ2:5	5CQ4:5	14850680	Firstflex	3	BK	2.5
5CQ2:5	2MMQ2:6	14850680	Firstflex	2	BK	2.5
5CQ2:4	M1:2:1	14850680	Firstflex	4	BK	2.5
5CQ2:3	5CQ4:3	14850680	Firstflex	3	BK	2.5
5CQ2:3	2MMQ2:4	14850680	Firstflex	2	BK	2.5
5CQ2:2	M1:1:1	14850680	Firstflex	5	BK	2.5
5CQ4:4	M1:2:1	14850680	Firstflex	5	BK	2.5
2MXP1	M1:7:1	14850660	Firstflex	1	LTBU	2.5
2MMQ2:3	2MXP1	14850680	Firstflex	1	BK	2.5
2MMQ2:22	2MG3:22	14850003	Firstflex	7	BU	.5
2MMQ2:21	2MG3:21	14850003	Firstflex	6	BU	.5
2MMQ2:14	2MG3:14	14850003	Firstflex	3	BU	.5

D N BICKERTON
ELECTRICAL LTD

Display Title
Job No 30956
Wire Numbering = Sheet/Index/Net Number

Project: WebSchematic	Drawing no.:	Rev.:	Init.:
Date: 11/01/2021			Page: 1

Wire list

From	To	Type	Supplier	No.	Colour	Size
2MMQ2:13	2MG3:13	14850003	Firstflex	1	BU	.5
3PSF4.2:1	2MF6:1	14850680	Firstflex	8	BK	2.5
3PSU4:N	M1:7:1	14850660	Firstflex	3	LTBU	2.5
3PSF4.3:1	3PSU4:+V	14850003	Firstflex	8	BU	.5
3PSF4.3:1	3PSU4:+V	14850003	Firstflex	9	BU	.5
3PSF4.1:2	4SK6:1	14850009	Firstflex	3	GY	.5
3PSF4.3:2	4SF4:1	14850003	Firstflex	10	BU	.5
3PSF4.1:1	3PSU4:-V	14850009	Firstflex	2	GY	.5
3PSF4.1:1	3PSU4:-V	14850009	Firstflex	1	GY	.5
3PSU4:L	3PSF4.2:2	14850680	Firstflex	13	BK	2.5
4SS1.1:3	4SS4.2:1	14850003	Firstflex	11	BU	.5
4SK5:1	4SK6:1	14850009	Firstflex	5	GY	.5
4SS4.1:T21	C:4:2	14850003	Firstflex	16	BU	.5
4SS4.1:T11	C:2:2	14850003	Firstflex	13	BU	.5
4SS4.1:24	4SK6:0	14850003	Firstflex	26	BU	.5
4SS4.1:T12	4SS4.2:2	14850003	Firstflex	20	BU	.5
4SS4.1:A2	4SK5:1	14850009	Firstflex	4	GY	.5
4SS4.1:A1	4SF4:2	14850003	Firstflex	18	BU	.5
4SF4:1	4SK5:43	14850003	Firstflex	17	BU	.5
4SS4.1:T22	4SS1.1:3	14850003	Firstflex	14	BU	.5
4SS4.1:T32	4SK5:12	14850003	Firstflex	22	BU	.5
C:1:1	4SS1.1:4	14850003	Firstflex	12	BU	.5
4SS4.1:T33	4SS4.1:A1	14850003	Firstflex	19	BU	.5
4SS4.1:T33	4SS4.1:13	14850003	Firstflex	23	BU	.5
4SS4.1:23	4SS4.1:13	14850003	Firstflex	24	BU	.5
4SS4.1:14	4SK5:0	14850008	Firstflex	25	BU	.5
4SK5:11	4SK6:12	14850003	Firstflex	27	BU	.5
C:2:1	4SS1.2:4	14850660	Firstflex	5	LTBU	2.5
C:4:1	4SS1.2:4	14850660	Firstflex	7	LTBU	2.5
C:3:1	4SS1.1:4	14850003	Firstflex	15	BU	.5

D N BICKERTON
ELECTRICAL LTD

Display Title
Job No 30956
Wire Numbering = Sheet/Index/Net Number

Project: WebSchematic	Drawing no.:	Rev.:	Init.:
Date: 11/01/2021			Page: 2

Wire list

From	To	Type	Supplier	No.	Colour	Size
4SK6:11	4SS4.1:T31	14850003	Firstflex	21	BU	.5
4SS1.2:3	C:1:2	14850660	Firstflex	4	LTBU	2.5
4SK6:44	5CS3.2:1	14850620	Firstflex	1	OR	.5
4SS1.2:3	C:3:2	14850660	Firstflex	6	LTBU	2.5
4SK6:43	4SK5:44	14850003	Firstflex	28	BU	.5
5CS4:1	2MMQ2:14	14850003	Firstflex	5	BU	.5
5CQ4:A2	5CK6:A2	14850009	Firstflex	7	GY	.5
5CS6:3	5CS8:3	14850003	Firstflex	40	BU	.5
5CS6:3	5CS4:1	14850003	Firstflex	37	BU	.5
5CK6:A2	5CK8:A2	14850009	Firstflex	8	GY	.5
5CK8:A1	5CS8:4	14850003	Firstflex	42	BU	.5
5CQ2:A1	5CQ4:22	14850009	Firstflex	32	BU	.5
5CS3.1:3	5CQ2:14	14850009	Firstflex	34	BU	.5
5CS3.2:2	2MMQ2:13	14850003	Firstflex	2	BU	.5
5CQ4:A1	5CQ2:22	14850009	Firstflex	39	BU	.5
5CK6:A1	5CS6:4	14850003	Firstflex	41	BU	.5
5CQ2:21	5CS3.1:4	14850003	Firstflex	35	BU	.5
5CQ2:21	5CS4:2	14850003	Firstflex	38	BU	.5
5CQ4:21	5CS3.1:4	14850003	Firstflex	31	BU	.5
5CQ4:21	5CS2:2	14850003	Firstflex	30	BU	.5
5CQ2:13	5CS2:1	14850003	Firstflex	29	BU	.5
5CQ2:13	5CS6:3	14850003	Firstflex	33	BU	.5
5CQ2:13	2MMQ2:14	14850003	Firstflex	4	BU	.5
5CQ4:13	5CS4:1	14850003	Firstflex	36	BU	.5
5CQ2:A2	5CQ4:A2	14850009	Firstflex	6	GY	.5

D N BICKERTON
ELECTRICAL LTD

Display Title
Job No 30956
Wire Numbering = Sheet/Index/Net Number

Project: WebSchematic	Drawing no.:	Rev.:	Init.:
Date: 11/01/2021			Page: 3

Wiring List

Wire Type	Wire	Size	Colour	Signal	Net Number	Connection 1
14850680	1	2.5	BK	Power1	02M02	2MMQ2:1 / 2MXP1
14850680	2	2.5	BK	Power1	02M02	2MF6:1 / 2MMQ2:1
14850680	7	2.5	BK	Power1	02M02	2MF6:1 / 2MF7:1
14850680	8	2.5	BK	Power1	02M02	2MF6:1 / 3PSF4.2:1
14850680	1	2.5	BK	Power2	02M09	2MMQ2:3 / 2MXP1
14850680	1	2.5	BK	Power3	02M12	2MMQ2:5 / 2MXP1
14850003	1	.5	BU	24VDC	02M15	2MG3:13 / 2MMQ2:13
14850003	2	.5	BU	24VDC	02M15	2MMQ2:13 / 5CS3.2:2
14850700	1	2.5	GNY	pe	02M19	M1:4:1 / 2MXP1
14850700	2	2.5	GNY	pe	02M19	M1:4:1 / M1:8:1
14850700	3	2.5	GNY	pe	02M19	M1:8:1 / M1:11:1
14850700	4	2.5	GNY	pe	02M19	M1:8:1 / 3PSU4:PE
14850009	1	.5	GY	0VDC	0VDC	3PSF4.1:1 / 3PSU4:-V
14850009	2	.5	GY	0VDC	0VDC	3PSF4.1:1 / 3PSU4:-V
14850660	1	2.5	LTBU	N	02M01	M1:7:1 / 2MXP1
14850660	2	2.5	LTBU	N	02M01	M1:7:1 / M1:10:1
14850660	3	2.5	LTBU	N	02M01	M1:7:1 / 3PSU4:N
14850620	1	.5	OR	Safe	04S05	4SK6:44 / 5CS3.2:1
14850680	2	2.5	BK	Power2	02M10	2MMQ2:4 / 5CQ2:3
14850680	3	2.5	BK	Power2	02M10	5CQ2:3 / 5CQ4:3
14850680	2	2.5	BK	Power3	02M13	2MMQ2:6 / 5CQ2:5
14850680	3	2.5	BK	Power3	02M13	5CQ2:5 / 5CQ4:5
14850680	3	2.5	BK	Power1	02M03	2MMQ2:2 / 5CQ2:1
14850680	4	2.5	BK	Power1	02M03	5CQ2:1 / 5CQ4:1
14850003	3	.5	BU	24VDC	02M16	2MG3:14 / 2MMQ2:14
14850003	4	.5	BU	24VDC	02M16	2MMQ2:14 / 5CQ2:13
14850003	5	.5	BU	24VDC	02M16	2MMQ2:14 / 5CS4:1
14850003	29	.5	BU	24VDC	02M16	5CQ2:13 / 5CS2:1
14850003	33	.5	BU	24VDC	02M16	5CQ2:13 / 5CS6:3
14850003	36	.5	BU	24VDC	02M16	5CQ4:13 / 5CS4:1

D N BICKERTON
ELECTRICAL LTD

Display Title
Job No 30956
Wire Numbering = Sheet/Index/Net Number

Project: WebSchematic	Drawing no.:	Rev.:	Init.:
Date: 11/01/2021			Page: 1

Wiring List

Wire Type	Wire	Size	Colour	Signal	Net Number	Connection 1
14850003	37	.5	BU	24VDC	02M16	5CS4:1 / 5CS6:3
14850003	40	.5	BU	24VDC	02M16	5CS6:3 / 5CS8:3
14850009	3	.5	GY	0VDC	0VDC	3PSF4.1:2 / 4SK6:1
14850009	4	.5	GY	0VDC	0VDC	4SK5:1 / 4SS4.1:A2
14850009	5	.5	GY	0VDC	0VDC	4SK5:1 / 4SK6:1
14850680	4	2.5	BK	Power2	02M11	M1:2:1 / 5CQ2:4
14850680	5	2.5	BK	Power2	02M11	M1:2:1 / 5CQ4:4
14850680	4	2.5	BK	Power3	02M14	M1:3:1 / 5CQ2:6
14850680	5	2.5	BK	Power3	02M14	M1:3:1 / 5CQ4:2
14850660	4	2.5	LTBU	N	04S01	C:1:2 / 4SS1.2:3
14850680	5	2.5	BK	Power1	02M04	M1:1:1 / 5CQ2:2
14850680	6	2.5	BK	Power1	02M04	M1:1:1 / 5CQ4:6
14850660	5	2.5	LTBU	N	04S02	C:2:1 / 4SS1.2:4
14850003	6	.5	BU	24VDC	02M17	2MG3:21 / 2MMQ2:21
14850009	6	.5	GY	0VDC	0VDC	5CQ2:A2 / 5CQ4:A2
14850009	7	.5	GY	0VDC	0VDC	5CK6:A2 / 5CQ4:A2
14850009	8	.5	GY	0VDC	0VDC	5CK6:A2 / 5CK8:A2
14850660	6	2.5	LTBU	N	04S03	C:3:2 / 4SS1.2:3
14850003	7	.5	BU	24VDC	02M18	2MG3:22 / 2MMQ2:22
14850660	7	2.5	LTBU	N	04S04	C:4:1 / 4SS1.2:4
14850003	8	.5	BU	24VDC	03PS02	3PSF4.3:1 / 3PSU4:+V
14850003	9	.5	BU	24VDC	03PS02	3PSF4.3:1 / 3PSU4:+V
14850680	9	2.5	BK	Power1	02M05	2MF6:2 / 5CK6:14
14850680	10	2.5	BK	Power1	02M06	M1:6:1 / 5CK6:11
14850003	10	.5	BU	24VDC	03PS03	3PSF4.3:2 / 4SF4:1
14850003	17	.5	BU	24VDC	03PS03	4SF4:1 / 4SK5:43
14850680	11	2.5	BK	Power1	02M07	2MF7:2 / 5CK8:14
14850003	11	.5	BU	24VDC	04S06	4SS1.1:3 / 4SS4.2:1
14850680	12	2.5	BK	Power1	02M08	M1:9:1 / 5CK8:11
14850003	12	.5	BU	24VDC	04S07	C:1:1 / 4SS1.1:4

D N BICKERTON
ELECTRICAL LTD

Display Title
Job No 30956
Wire Numbering = Sheet/Index/Net Number

Project: WebSchematic	Drawing no.:	Rev.:	Init.:
Date: 11/01/2021			Page: 2

Wiring List

Wire Type	Wire	Size	Colour	Signal	Net Number	Connection 1
14850680	13	2.5	BK	Power1	03PS01	3PSF4.2:2 / 3PSU4:L
14850003	13	.5	BU	24VDC	04S08	C:2:2 / 4SS4.1:T11
14850003	14	.5	BU	24VDC	04S09	4SS1.1:3 / 4SS4.1:T22
14850003	15	.5	BU	24VDC	04S10	C:3:1 / 4SS1.1:4
14850003	16	.5	BU	24VDC	04S11	C:4:2 / 4SS4.1:T21
14850003	18	.5	BU	24VDC	04S12	4SF4:2 / 4SS4.1:A1
14850003	19	.5	BU	24VDC	04S12	4SS4.1:A1 / 4SS4.1:T33
14850003	23	.5	BU	24VDC	04S12	4SS4.1:T33 / 4SS4.1:13
14850003	24	.5	BU	24VDC	04S12	4SS4.1:13 / 4SS4.1:23
14850003	20	.5	BU	24VDC	04S13	4SS4.1:T12 / 4SS4.2:2
14850003	21	.5	BU	24VDC	04S14	4SK6:11 / 4SS4.1:T31
14850003	22	.5	BU	24VDC	04S15	4SK5:12 / 4SS4.1:T32
14850008	25	.5	BU	24VDC	04S16	4SK5:0 / 4SS4.1:14
14850003	26	.5	BU	24VDC	04S17	4SK6:0 / 4SS4.1:24
14850003	27	.5	BU	24VDC	04S18	4SK5:11 / 4SK6:12
14850003	28	.5	BU	24VDC	04S19	4SK5:44 / 4SK6:43
14850003	30	.5	BU	24VDC	05C01	5CQ4:21 / 5CS2:2
14850003	31	.5	BU	24VDC	05C01	5CQ4:21 / 5CS3.1:4
14850009	32	.5	BU	24VDC	05C02	5CQ2:A1 / 5CQ4:22
14850009	34	.5	BU	24VDC	05C03	5CQ2:14 / 5CS3.1:3
14850003	35	.5	BU	24VDC	05C04	5CQ2:21 / 5CS3.1:4
14850003	38	.5	BU	24VDC	05C04	5CQ2:21 / 5CS4:2
14850009	39	.5	BU	24VDC	05C05	5CQ2:22 / 5CQ4:A1
14850003	41	.5	BU	24VDC	05C06	5CK6:A1 / 5CS6:4
14850003	42	.5	BU	24VDC	05C07	5CK8:A1 / 5CS8:4

Bill of Materials

Type	Manufacturer	Description	Quantity	Length
G7SA-3A3B-DC24			1.00	0.00
Motor By Others			2.00	0.00
35280742	ENCLOSURES	Enclosure 400x400x200 IP65 SS 316 CRXX404020-316 CVS	1.00	0.00
M10	IGE+XAO	Motor 10 kW - Demo	1.00	0.00
17300040	NZ PANEL	2.5mm 2C tin flex EPR/SER	2.00	0.00
17320840	NZ PANEL	2.5mm 4C PVC flex V90 BK	1.00	0.00
23010280	NZ PANEL	Plug 20A 5pin 500V straight 56P520 PDL	1.00	0.00
34570020	NZ PANEL	Din rail slot AL 1m PFP-100N PFP-100P Omron	2.00	620.00
38510140	NZ PANEL	Terminal 26A WDU2.5 BE	11.00	0.00
38510250	NZ PANEL	Terminal earth WPE 2.5	5.00	0.00
38610146	NZ PANEL	Terminal fused 24VDC LED WSI 6	4.00	0.00
38910215	NZ PANEL	End stop WEW 35/2	6.00	0.00
54130040-MCB 10A D Curve	NZ PANEL	MCB 10A D Curve	2.00	0.00
61411100	NZ PANEL	SWITCH MODE POWER SUPPLY 100-240VAC/24VDC, 2.5A, 60W	2.00	0.00
61511390	NZ PANEL	SLIM RELAY INDUSTRIAL 24VDC 1CO	2.00	0.00
61611140	NZ PANEL	Relay safety monitor 24VDC G9SE-201 DC24 Omron	1.00	0.00
61615060-G7SA-3A3B-DC24	NZ PANEL	SAFETY RELAY UNIT 3NO+3NC 24VDC	2.00	0.00
61615060-Relay	NZ PANEL	Safety relay 24VDC 3NO 3NC G7SA-3A3B Omron Base	2.00	0.00
66510293-LC1D18BD	NZ PANEL	TESYS D CONTACTOR - 3P(3 NO) - AC-3 - <= 440 V 18 A - 24 V DC COIL	2.00	0.00
67210580	NZ PANEL	Motor CB 20-25A	1.00	0.00
67210870	NZ PANEL	Contact aux 2NO front	2.00	0.00
67523220	NZ PANEL	Pushbutton head em 40mm latch	2.00	0.00
67620080	NZ PANEL	Pushbutton head 22mm flush GN	2.00	0.00
67620100	NZ PANEL	Pushbutton head 22mm flush RD	1.00	0.00
67620120DP	NZ PANEL	Pushbutton head 22mm flush YL	1.00	0.00
67623320	NZ PANEL	Selector head 2pos stay put	3.00	0.00
67625120	NZ PANEL	Contact block 1NO & collar	5.00	0.00
67920320	NZ PANEL	Contact block 1NC	1.00	0.00

SHOP ONLY FOR TENDER

D N BICKERTON ELECTRICAL LTD	Display Title Job No 30956 Wire Numbering = Sheet/Index/Net Number		Project: WebSchematic	Drawing no.:	Rev.:	Init.:
			Date: 11/01/2021			Page: 1

List of Spare Parts

Name(-)	Quantity	Type	Supplier	Description	Manufacture
A102	1.00	35280742	ENCLOSURES	Enclosure 400x400x200 IP65 SS 316 CRXX404020-316 CVS	
C	4.00	38510140	NZ PANEL	Terminal 26A WDU2.5 BE	
M1	7.00	38510140	NZ PANEL	Terminal 26A WDU2.5 BE	
M1	5.00	38510250	NZ PANEL	Terminal earth WPE 2.5	
U105	310.00	34570020	NZ PANEL	Din rail slot AL 1m PFP-100N PFP-100P Omron	
U106	310.00	34570020	NZ PANEL	Din rail slot AL 1m PFP-100N PFP-100P Omron	
U107	1.00	38910215	NZ PANEL	End stop WEW 35/2	
U108	1.00	38910215	NZ PANEL	End stop WEW 35/2	
U109	1.00	38910215	NZ PANEL	End stop WEW 35/2	
U110	1.00	38910215	NZ PANEL	End stop WEW 35/2	
U111	1.00	38910215	NZ PANEL	End stop WEW 35/2	
U112	1.00	38910215	NZ PANEL	End stop WEW 35/2	
W1	1.00	17320840	NZ PANEL	2.5mm 4C PVC flex V90 BK	
W2	1.00	17300040	NZ PANEL	2.5mm 2C tin flex EPR/SER	
W3	1.00	17300040	NZ PANEL	2.5mm 2C tin flex EPR/SER	
2MF6	1.00	54130040-MCB 10A D Curve	NZ PANEL	MCB 10A D Curve	
2MF7	1.00	54130040-MCB 10A D Curve	NZ PANEL	MCB 10A D Curve	
2MG3	1.00	67210870	NZ PANEL	Contact aux 2NO front	
2MM2	1.00	M10	IGE+XAO	Motor 10 kW - Demo	
2MM7	1.00	Motor By Others			
2MM8	1.00	Motor By Others			
2MMQ2	1.00	67210580	NZ PANEL	Motor CB 20-25A	
2MXP1	1.00	23010280	NZ PANEL	Plug 20A 5pin 500V straight 56P520 PDL	
2U4	1.00	61411100	NZ PANEL	SWITCH MODE POWER SUPPLY 100-240VAC/24VDC, 2.5A, 60W	
3PSF4.1	1.00	38610146	NZ PANEL	Terminal fused 24VDC LED WSI 6	
3PSF4.2	1.00	38610146	NZ PANEL	Terminal fused 24VDC LED WSI 6	
3PSF4.3	1.00	38610146	NZ PANEL	Terminal fused 24VDC LED WSI 6	
3PSU4	1.00	61411100	NZ PANEL	SWITCH MODE POWER SUPPLY 100-240VAC/24VDC, 2.5A, 60W	
4MG2	1.00	67210870	NZ PANEL	Contact aux 2NO front	
4SF4	1.00	38610146	NZ PANEL	Terminal fused 24VDC LED WSI 6	
D N BICKERTON ELECTRICAL LTD		Display Title Job No 30956 Wire Numbering = Sheet/Index/Net Number	Project: WebSchematic Date: 11/01/2021	Drawing no.:	Rev.: Init.: Page: 1

List of Spare Parts

Name(-)	Quantity	Type	Supplier	Description	Manufacture
4SK5	1.00	61615060-Relay	NZ PANEL	Safety relay 24VDC 3NO 3NC G7SA-3A3B Omron Base	
4SK5	1.00	61615060-G7SA-3A3B-DC24	NZ PANEL	SAFETY RELAY UNIT 3NO+3NC 24VDC	
4SK6	1.00	61615060-G7SA-3A3B-DC24	NZ PANEL	SAFETY RELAY UNIT 3NO+3NC 24VDC	
4SK6	1.00	61615060-Relay	NZ PANEL	Safety relay 24VDC 3NO 3NC G7SA-3A3B Omron Base	
4SS1.1	1.00	67523220	NZ PANEL	Pushbutton head em 40mm latch	
4SS1.2	1.00	67523220	NZ PANEL	Pushbutton head em 40mm latch	
4SS1.2	1.00	67625120	NZ PANEL	Contact block 1NO & collar	
4SS1.2	1.00	67920320	NZ PANEL	Contact block 1NC	
4SS4.1	1.00	61611140	NZ PANEL	Relay safety monitor 24VDC G9SE-201 DC24 Omron	
4SS4.2	1.00	67620120DP	NZ PANEL	Pushbutton head 22mm flush YL	
5CK6	1.00	61511390	NZ PANEL	SLIM RELAY INDUSTRIAL 24VDC 1CO	
5CK8	1.00	61511390	NZ PANEL	SLIM RELAY INDUSTRIAL 24VDC 1CO	
5CQ2	1.00	66510293-LC1D18BD	NZ PANEL	TESYS D CONTACTOR - 3P(3 NO) - AC-3 - <= 440 V 18 A - 24 V DC COIL	
5CQ4	1.00	66510293-LC1D18BD	NZ PANEL	TESYS D CONTACTOR - 3P(3 NO) - AC-3 - <= 440 V 18 A - 24 V DC COIL	
5CS2	1.00	67620080	NZ PANEL	Pushbutton head 22mm flush GN	
5CS3.1	1.00	67623320	NZ PANEL	Selector head 2pos stay put	
5CS3.1	2.00	67625120	NZ PANEL	Contact block 1NO & collar	
5CS3.2	1.00	67620100	NZ PANEL	Pushbutton head 22mm flush RD	
5CS4	1.00	67620080	NZ PANEL	Pushbutton head 22mm flush GN	
5CS6	1.00	67623320	NZ PANEL	Selector head 2pos stay put	
5CS6	1.00	67625120	NZ PANEL	Contact block 1NO & collar	
5CS8	1.00	67623320	NZ PANEL	Selector head 2pos stay put	
5CS8	1.00	67625120	NZ PANEL	Contact block 1NO & collar	
9K5	1.00	G7SA-3A3B-DC24			
D N BICKERTON ELECTRICAL LTD	Display Title Job No 30956 Wire Numbering = Sheet/Index/Net Number	Project: Date:	WebSchematic 11/01/2021	Drawing no.:	Rev.: Init.: Page: 2

List of Wire Parts

Type	Manufacturer	Description	Quantity	Notes
14850003	NZ PANEL	0.5mm appliance wire tin BU	38.00	
14850008	NZ PANEL	0.5mm appliance wire tin OR	1.00	
14850009	NZ PANEL	0.5mm appliance wire tin GY	11.00	
14850620	NZ PANEL	2.5mm appliance wire tin RD	1.00	
14850660	NZ PANEL	2.5mm appliance wire tin BU	7.00	
14850680	NZ PANEL	2.5mm appliance wire tin BK	23.00	
14850700	NZ PANEL	2.5mm appliance wire tin GN/YL	4.00	

SHOP ONLY NOT FOR TENDER

D N BICKERTON ELECTRICAL LTD	Display Title Job No 30956 Wire Numbering = Sheet/Index/Net Number		Project: WebSchematic	Drawing no.:	Rev.:	Init.:
			Date: 11/01/2021			Page: 1

Cell
Sheet

4	S	1
---	---	---

4	S	1
4	S	1
4	S	1

Note	Cable type	Cable name

----- Cable -----

Terminal Strip

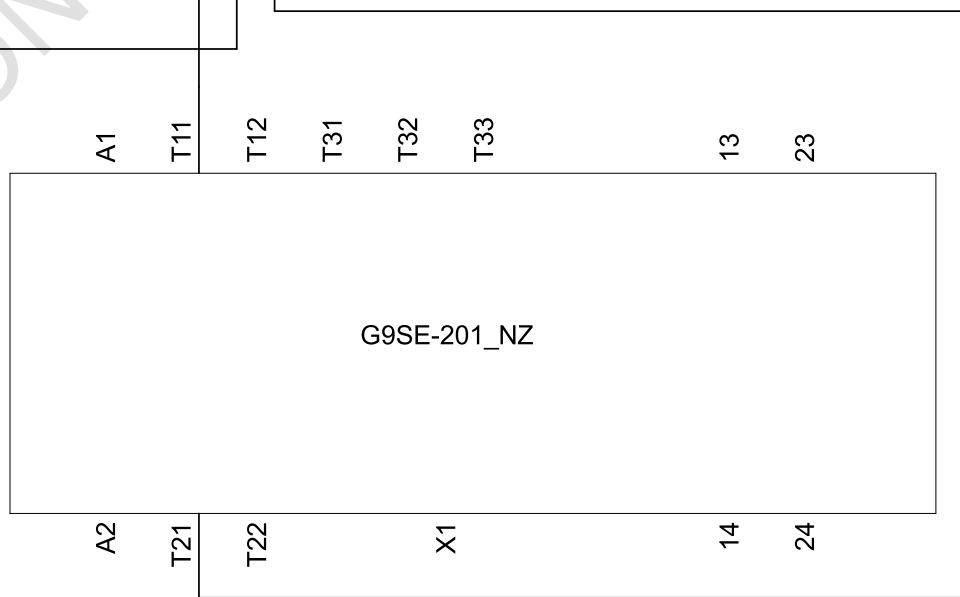
C

No.	Term.	Connection
1	O	4SS1.1:4

2	O	4SS1.2:4
3	O	4SS1.1:4
4	O	4SS1.2:4

4SS1.2
ES/2

4SS4.1



D N BICKERTON
ELECTRICAL LTD

Display Title
Job No 30956
Wire Numbering = Sheet/Index/Net Number

C

Project: WebSchematic	Drawing no.:	Rev.:	Init.:
Date: 11/01/2021	Function:	Location:	Page: 1

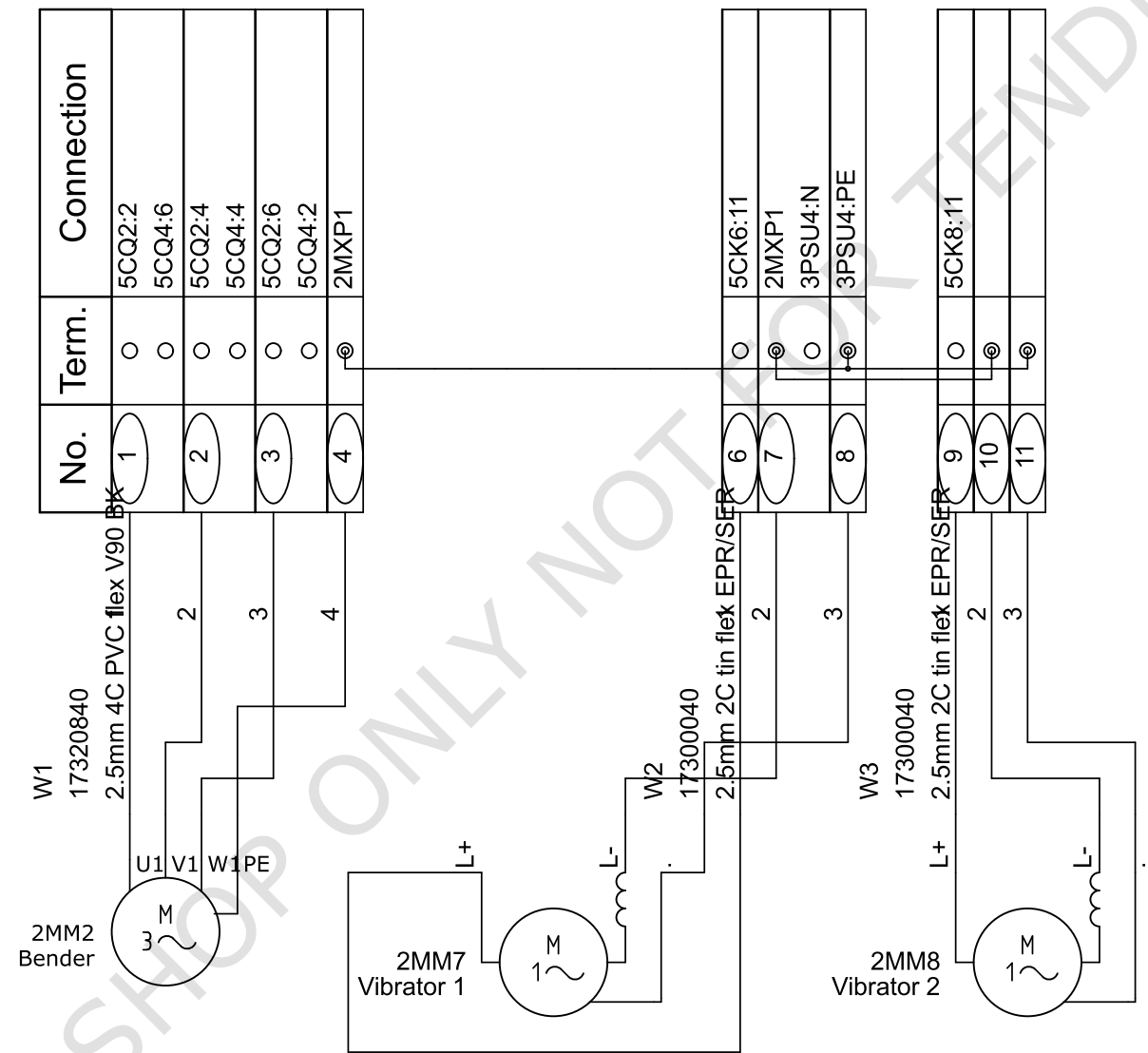
Terminal Strip

M1

Cell	2
Sheet	2 M
Cell	2
Sheet	2 M
Cell	2
Sheet	2 M
Cell	2
Sheet	2 M

Cell	6
Sheet	2 M
Cell	7
Sheet	2 M
Cell	7
Sheet	2 M
Cell	7
Sheet	2 M
Cell	8
Sheet	2 M
Cell	8
Sheet	2 M

Note	Cable type	Cable name



Terminal strip

C

Terminal-number	Header symbols without info			
	Target1	Target 2	Target 3	Target 4
1	→4SS1.1:4 ○	N4SS1.2:3		
2	→4SS1.2:4 ○	N4SS4.1:T11		
3	→4SS1.1:4 ○	N4SS1.2:3		
4	→4SS1.2:4 ○	N4SS4.1:T21		

12 4 5 2.5 A B	5 13 2.5 5 A B	15 6 5 2.5 A B	7 16 2.5 5 A B
----------------------	----------------------	----------------------	----------------------

Description	Cable type	Cable name	Core/colour Connection to terminal <n>
-------------	------------	------------	---

F						F							
Prior page:						Customer		Project description		Page description		Next page: 2	
Status	Modification	Date	Name	Project	Date	Name	Customer	Display Title	C	Proj.-nr.:	Device:		
		11/01/2021	8:19:57	Draw.	11/01/2021		Address 1	Job No 30956		WebSchematic	Location:		
				Test.			ZipCodeAK	Wire Numbering = Sheet/Index/Net	Number	Location	Draw. nr:	Page: 1	
				Norm			Orig.	Created for	Created by			of 2	
0	1	2	3	4	5	6	7	8	9				

SHOW ONLY NOT FOR TENDER

0	1	2	3	4	5	6	7	8	9
Pg.Ce.			1	1	1	1			
			4	4	4	4			

Terminal strip

M1

Terminal-number	Header symbols without info			
	Target1	Target 2	Target 3	Target 4
1	→5CQ2:2 ○	≈2MM2:U1	→5CQ4:6	
2	→5CQ4:4 ○	≈2MM2:V1	→5CQ2:4	
3	→5CQ4:2 ○	≈2MM2:W1	→5CQ2:6	
4	→2MXP1 ⊗	≈2MM2:PE	1	
6	→5CK6:11 ○	≈2MM7:L+		
7	→3PSU4:N ⊗	≈2MM7:L-	→2MXP1	1
8	→3PSU4:PE ⊗	≈2MM7:.	1	
9	→5CK8:11 ○	≈2MM8:L+		
10	1 ⊗	≈2MM8:L-		
11	1 ⊗	≈2MM8:..		

2.5mm 4C PVC flex V90320840	W1	5 6 2,5 2,5 A C	5 4 2,5 2,5 A C	5 4 2,5 2,5 A C	1 2,5 A	10 2,5 A	3 1 2,5 2,5 A C	4 2,5 A	12 2,5 A		
2.5mm 2C tin flex EPF1510040	W2	1 B	2 B	3 B	4 B		1 B	2 B	3 B		
2.5mm 2C tin flex EPF1510040	W3								1 B	2 B	3 B

Description	Cable type	Cable name	Core/colour Connection to terminal <n>
-------------	------------	------------	---

Prior page: 1		Customer		Project description		Page description		Next page:				
Status	Modification	Date	Name	Project	Date	Name	Customer	Display Title	M1	Proj.-nr.:	Device:	
		11/01/2021	8:19:57	Draw.	11/01/2021		Address 1	Job No 30956		WebSchematic	Location:	
				Test.			ZipCodeAK	Wire Numbering = Sheet/Index/Net	Number	Location	Draw. nr:	Page: 2
				Norm			Orig.	Created for	Created by			of 2

0	1	2	3	4	5	6	7	8	9			
			2	2	2	2	6	7	7	7	8	8
			2	2	2	2	2	2	2	2	2	2

A	Pg.Ce.											A
B												B
C												C
D												D
E												E
F												F

	0	1	2	3	4	5	6	7	8	9	Page	Cell												
A	<table border="1"> <tr> <td>Cable:</td> <td>W1</td> <td>Type:</td> <td>17320840</td> <td>Cable type:</td> <td></td> </tr> <tr> <td>Remark:</td> <td colspan="2">2.5mm 4C PVC flex V90 BK</td> <td>Length:</td> <td></td> <td></td> </tr> </table>										Cable:	W1	Type:	17320840	Cable type:		Remark:	2.5mm 4C PVC flex V90 BK		Length:			2	M 2
Cable:	W1	Type:	17320840	Cable type:																				
Remark:	2.5mm 4C PVC flex V90 BK		Length:																					
B											2	M 2												
B											2	M 2												
B											2	M 2												
C	<table border="1"> <tr> <td>Cable:</td> <td>W2</td> <td>Type:</td> <td>17300040</td> <td>Cable type:</td> <td></td> </tr> <tr> <td>Remark:</td> <td colspan="2">2.5mm 2C tin flex EPR/SER</td> <td>Length:</td> <td></td> <td></td> </tr> </table>										Cable:	W2	Type:	17300040	Cable type:		Remark:	2.5mm 2C tin flex EPR/SER		Length:			2	M 6
Cable:	W2	Type:	17300040	Cable type:																				
Remark:	2.5mm 2C tin flex EPR/SER		Length:																					
D											2	M 7												
D											2	M 7												
E																								
F																								

SHOP ONLY NOT FOR TENDER

	0	1	2	3	4	5	6	7	8	9	Page	Cell												
A	<table border="1"> <tr> <td>Cable:</td> <td>W3</td> <td>Type:</td> <td>17300040</td> <td>Cable type:</td> <td></td> </tr> <tr> <td>Remark:</td> <td colspan="2">2.5mm 2C tin flex EPR/SER</td> <td>Length:</td> <td></td> <td></td> </tr> </table>										Cable:	W3	Type:	17300040	Cable type:		Remark:	2.5mm 2C tin flex EPR/SER		Length:				
Cable:	W3	Type:	17300040	Cable type:																				
Remark:	2.5mm 2C tin flex EPR/SER		Length:																					
B											2	M 7												
											2	M 8												
											2	M 8												
C																								
D																								
E																								
F																								

SHOP ONLY NOT FOR TENDER